

Figure 7-1. 7694 Interconnection Wiring (continued on facing page)

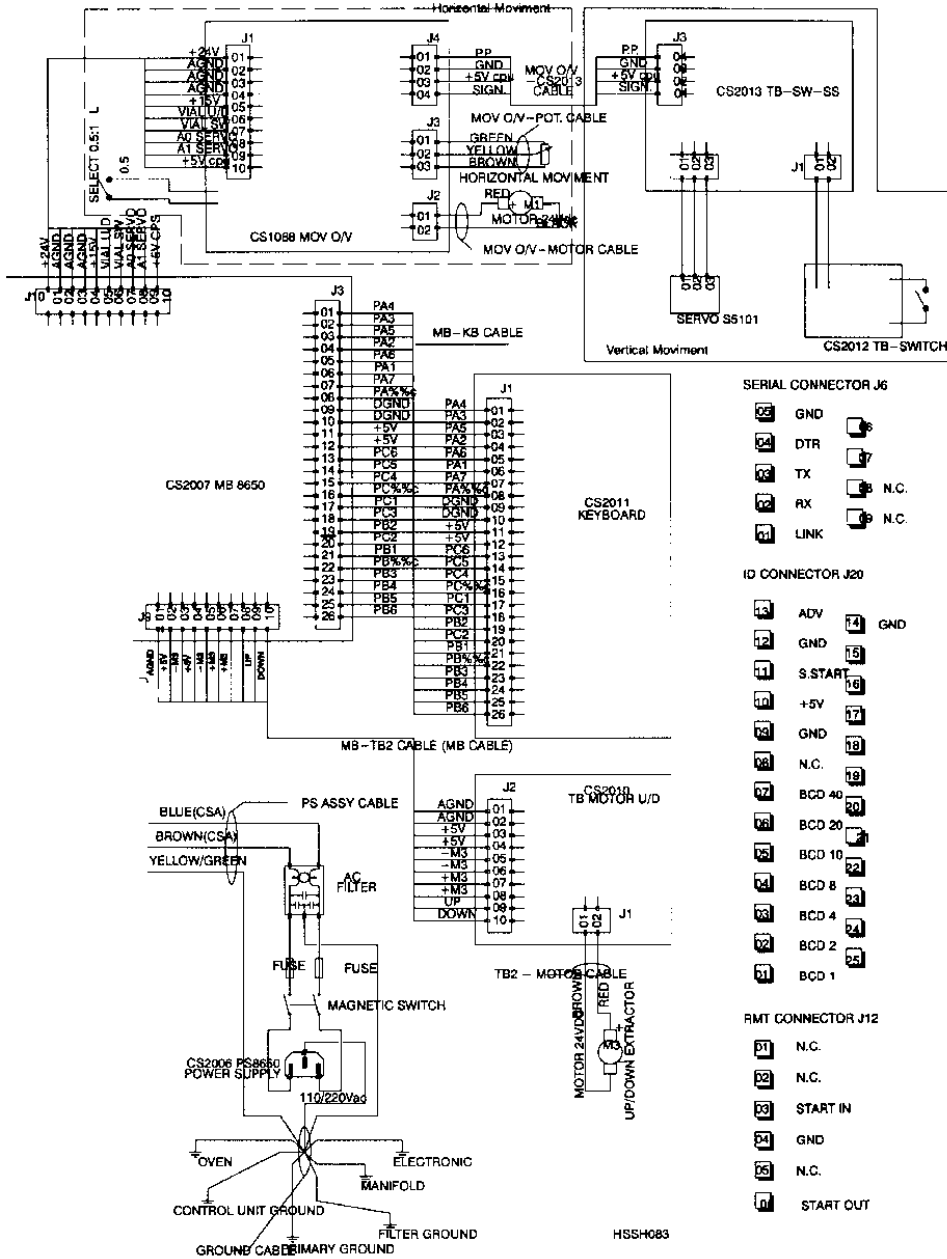


Figure 7-1 (continued). Interconnection Wiring

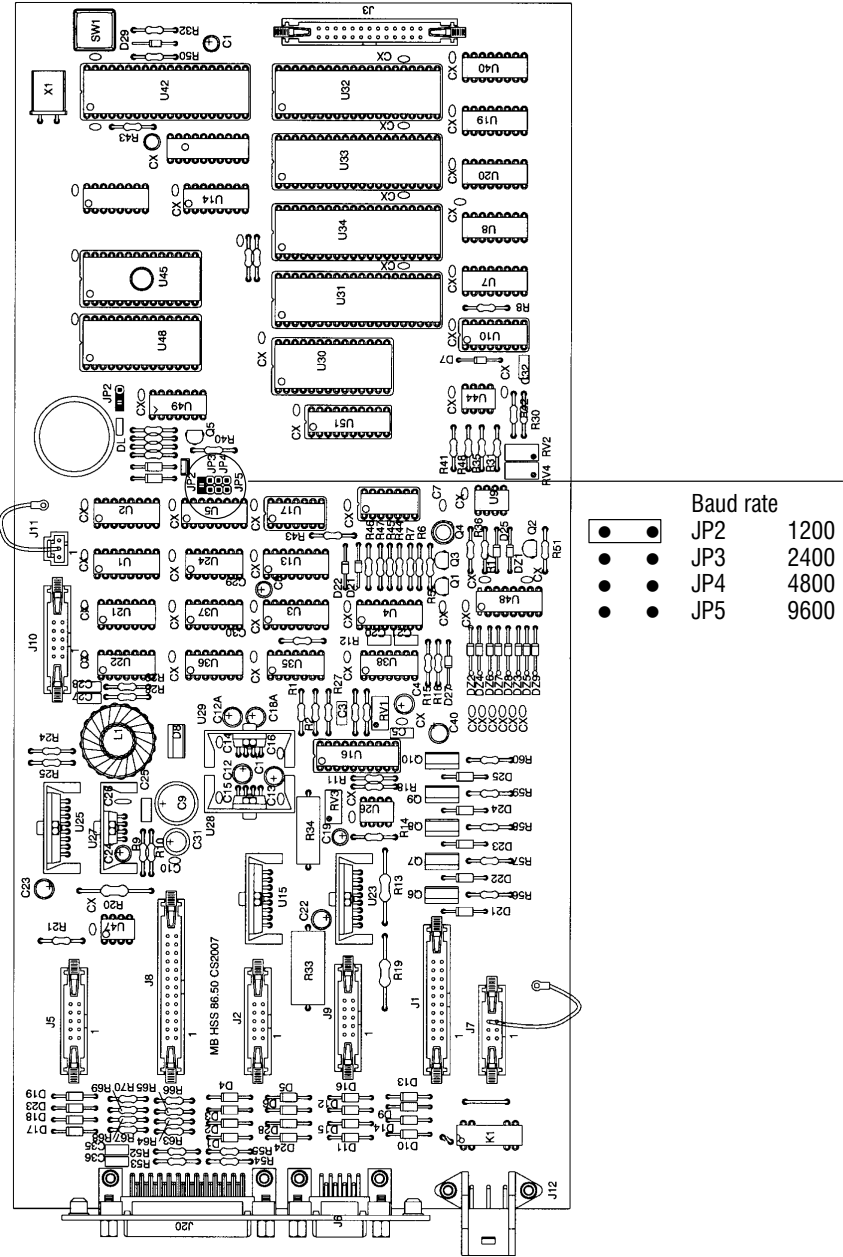








Figure 7-2a. Main Processor Board Components, HP Part No. 415-309-HSP
 HP Part No. 415-321-HSP rebuilt
 Microprocessor Intel 8085-2, 9.8 MHz 8-bit

- RV1  Fork Down Position Set
- RV2  Fork Up Position Set
- RV3  Oven IN/OUT Position Set
- RV4  Oven Wait Position Set
- RV5  Tray IN/OUT Position Set
- RV6  Rest Position Set

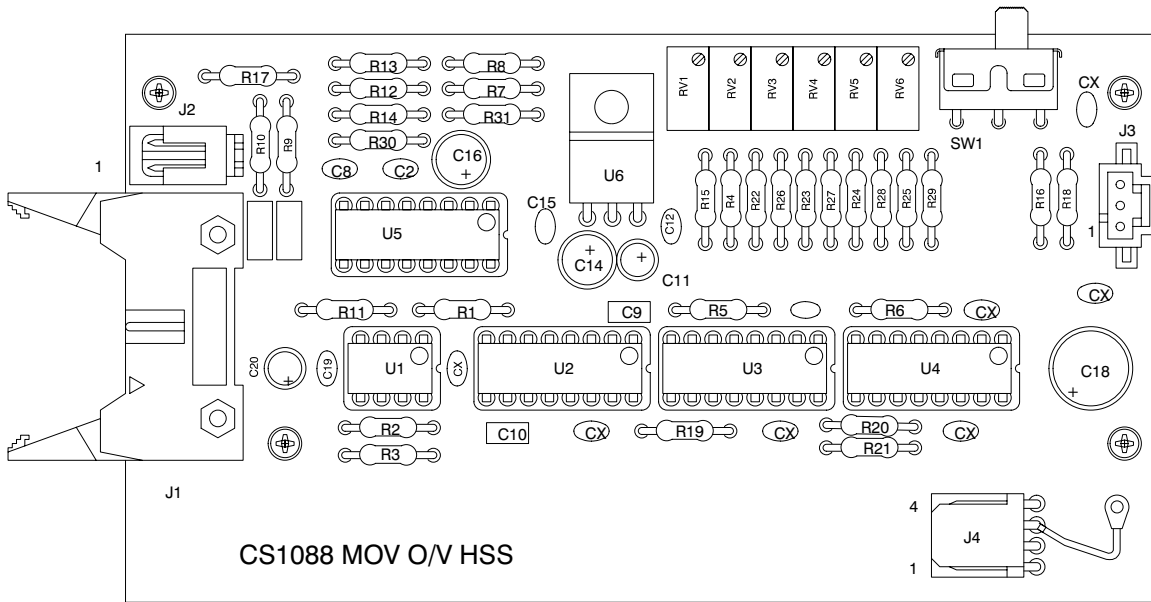


Figure 7-2b. PCB Position Set, HP Part No. 415-307-HSP

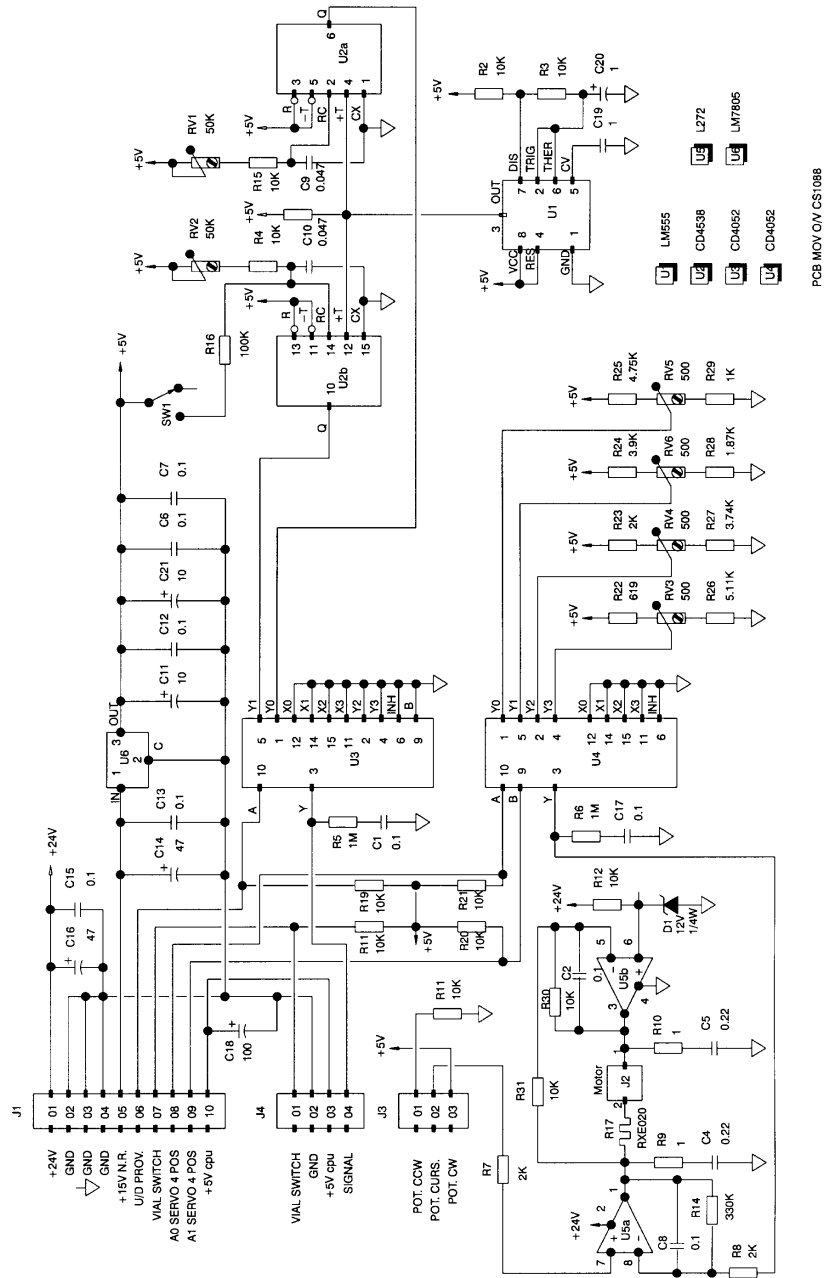
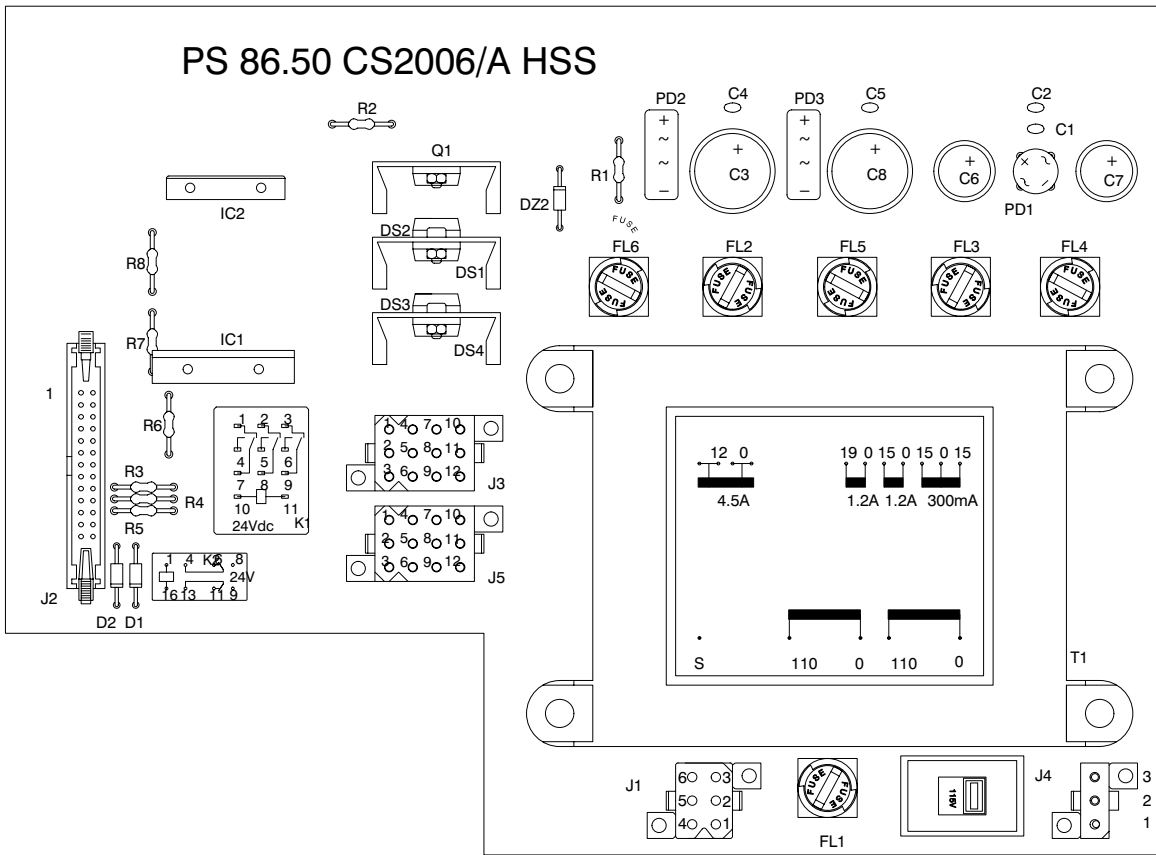


Figure 7-3a. PCB Position Set, HP Part No. 415-307-HSP



Fuses	HP Part No.	Qty	Description/Usage
2 A	445-067-HSP	10	F2 and F5
1A	445-02 9-HSP	10	F1 for 115 V
1/2A	445-059-HSP	1	F3 and F4; also F1 for 2 30 V

Figure 7-3b. Power Supply

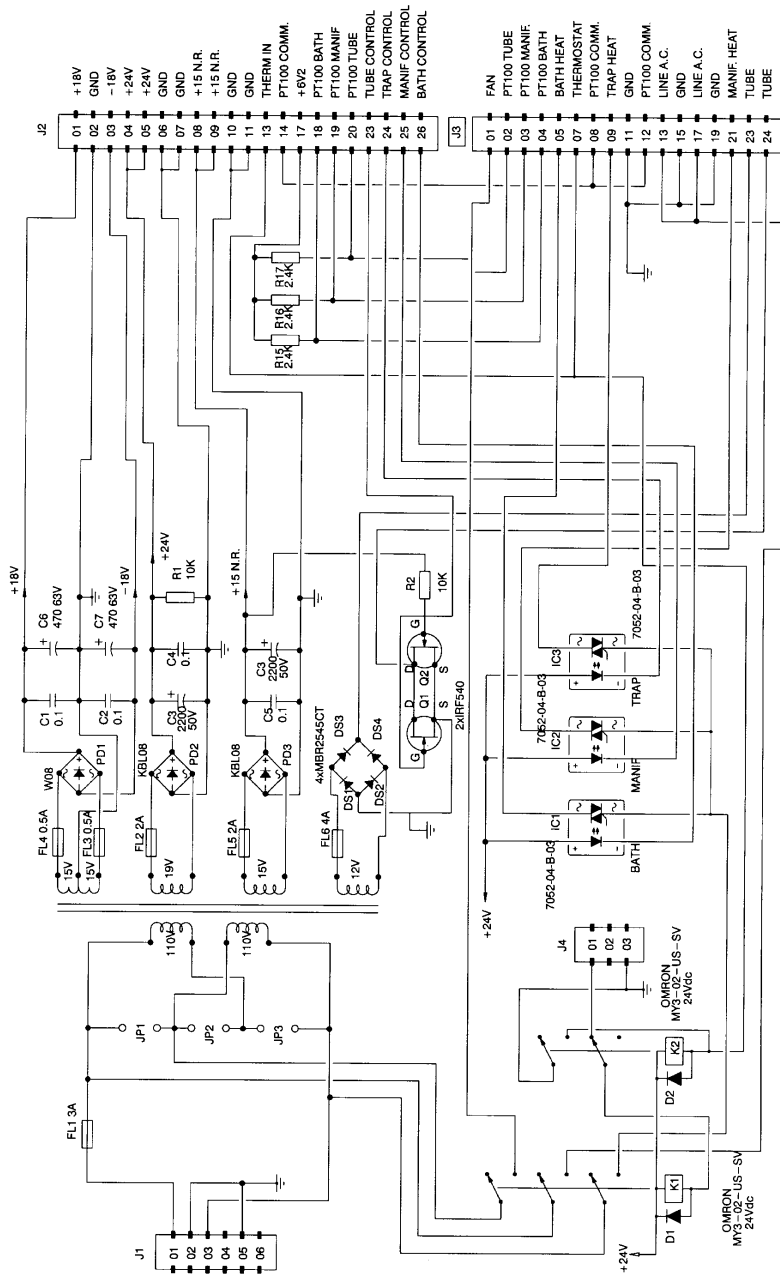


Figure 7-4. Power Supply (115V, HP Part No. 415-323-HSP)
(220V, HP Part No. 415-322-HSP)

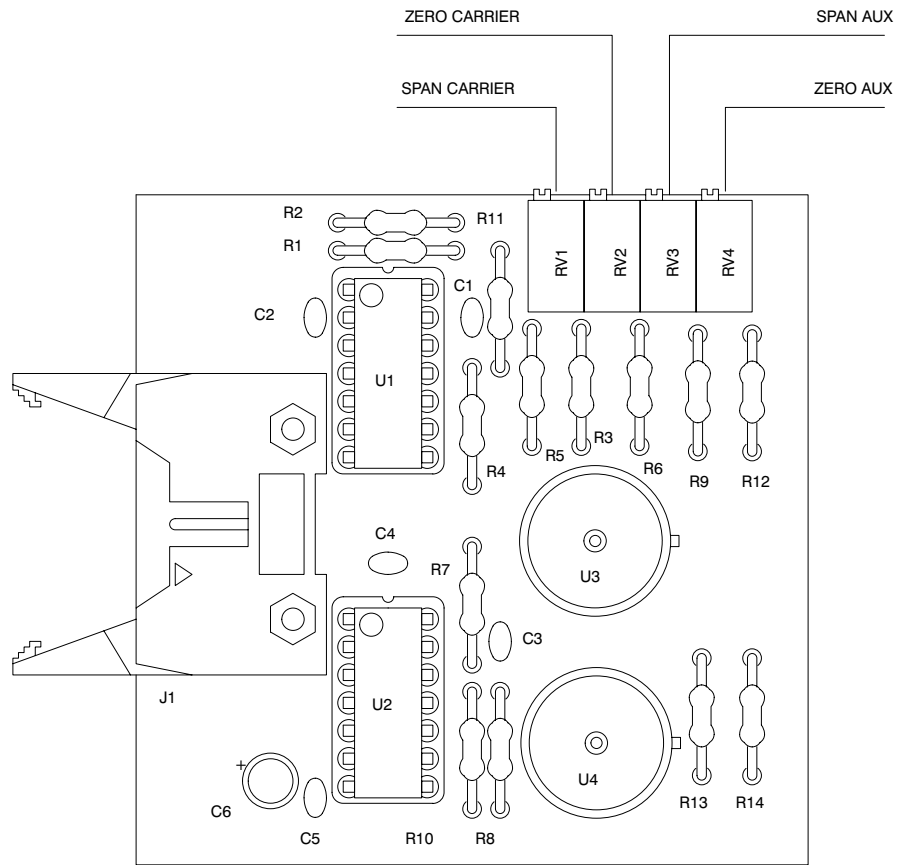


Figure 7-5a. Pressure Transducer Board